

295A Economy Single Axle Utility Trailer

G.V.W.R.	2,995#	Axle	3,500# EZ Lube Axle w/ Brake Flanges
G.A.W.R. (Ea. Axle)	2,995#	Supension	Multi-Leaf Spring
Coupler	2" A-Frame	Tire	ST205/75R-15 Load Range C
Safety Chains	1/4" Grd. 30 w/ Safety Latch Hook (2 ea)	Wheel	15" x 5; White Spoke, 5 on 5 Bolt Pattern
Jack	2,000# Top Wind (Bolted On)	Floor	2" Treated Pine or Douglas Fir*
Tongue	3" x 2" x 3/16" Angle	Lights	D.O.T. Stop, Tail, Turn & Clearance
Top Rail	1-5/8" Pipe	Elec. Plug	4-Way Flat w/ Loom
Frame	3" x 2" x 3/16" Angle	Finish (Prep)	Steel is Cleaned to Ensure a Professional, Smooth Finish
Crossmembers	3" x 2" x 3/16" Angle	Finish	Superior Quality Finish is Applied for a Highly Decorative and Protective Finish
Uprights	14" Tall Angle, 1-1/2" x 1-1/2" Angle		
Fenders	9" x 32" Rolled Formed w/ Back		

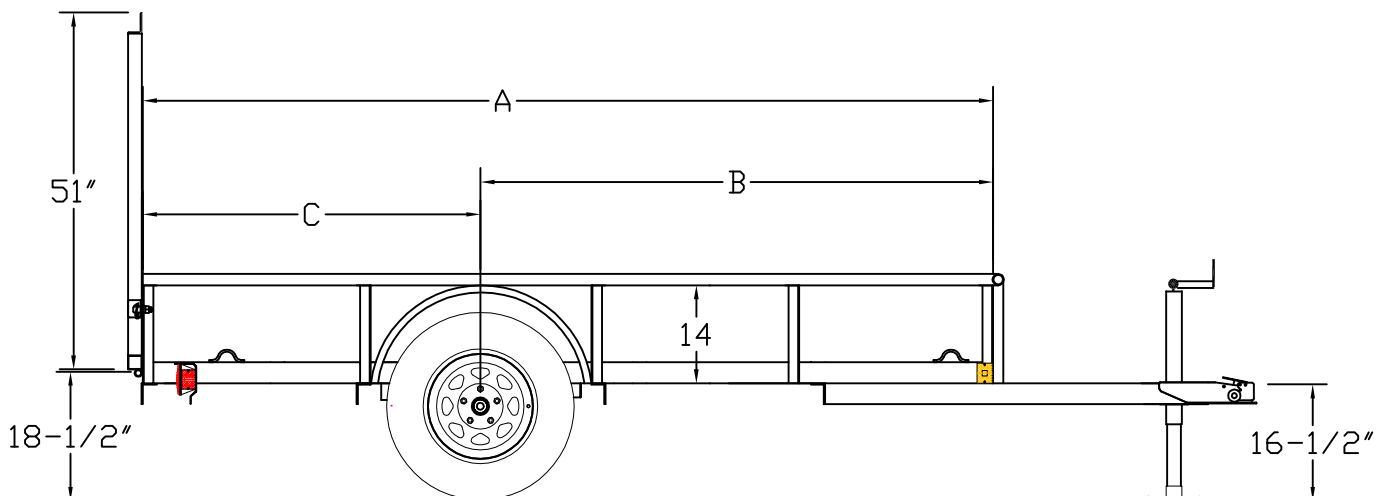
* Douglas Fir Available from Caldwell, ID Facility Only

Standard Features

- (4) Tie Down Loops Inside Bed
- EZ Lube Hubs
- Dexter Brand Axle
- Pipe Top Rail
- Radial Tires **NEW!**
- Brake Flanges on Axle for Easy Brake Addition
- Removable Sand Foot on Jack

Description

Dimensions			
Length	A	B	C
10'	121-1/2"	73"	48-1/2"
14'	169-1/2"	97"	72-1/2"



*Shown with optional rampgate.

29SA Economy Single Axle Utility Trailer ●



Shown with optional rampgate and spare tire mount.

◆ Model	Weight*	Description
29SA-10	750#	60" x 10' Economy Single Axle Utility Trailer
29SA-14	910#	60" x 14' Economy Single Axle Utility Trailer

*Weights shown are for base models without options and are estimates only

Optional Equipment

Category	Description
RAMPS	4' Tall Rear Rampgate
TIRE/WHEEL	Spare Tire Mount (Side)
TIRE/WHEEL	Spare Tire & Wheel (ST205/75R-15 LR-C)

Economy Style Model - Limited Options, Black Only